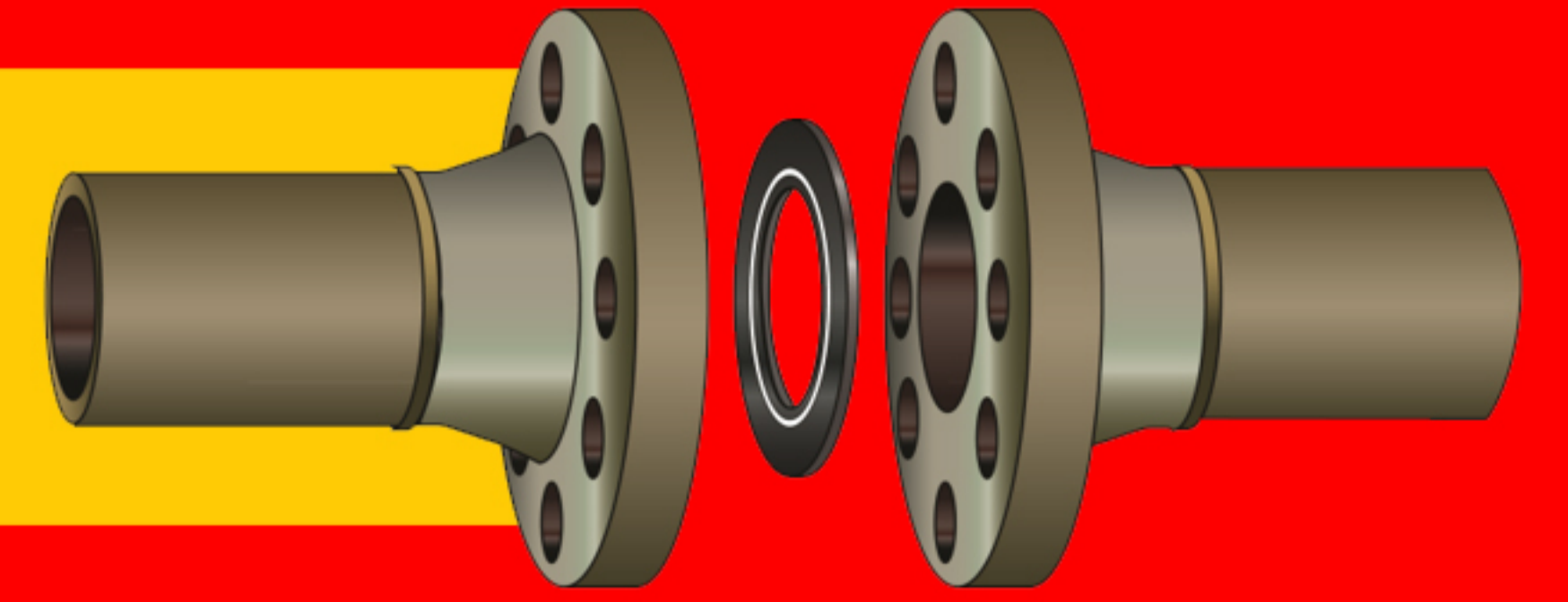




FLANGE INSULATION GASKET KITS



Flange Insulation Kits are designed to ensure electric insulation and to combat the effects of corrosion often found in flanged pipe systems. By eliminating metal-to-metal contact, static current is halted to prevent corrosion and aid in the cathodic protection of the piping system.

They can be used to control stray electric currents in piping at oil, gas, water, refinery and chemical plants in order to increase the effectiveness of cathodic protection systems.

Experience has shown that the cathodic protection, together with a high grade passive corrosion protection by application of coating on the pipeline, provides a most efficient and economical solution.

Isolation gasket kits are designed to prevent leakage while protecting your system from corrosion caused by electricity. Several different styles are available to meet your specific requirements.

TYPE E (FULL FACE GASKETS)

This gasket kit provides complete protection of both flange faces. The gasket has same outside diameter of flanges. This feature will prevent collection of foreign matter between the flange faces to ensure complete cathodic isolation

TYPE F (RAISED FACE GASKETS)

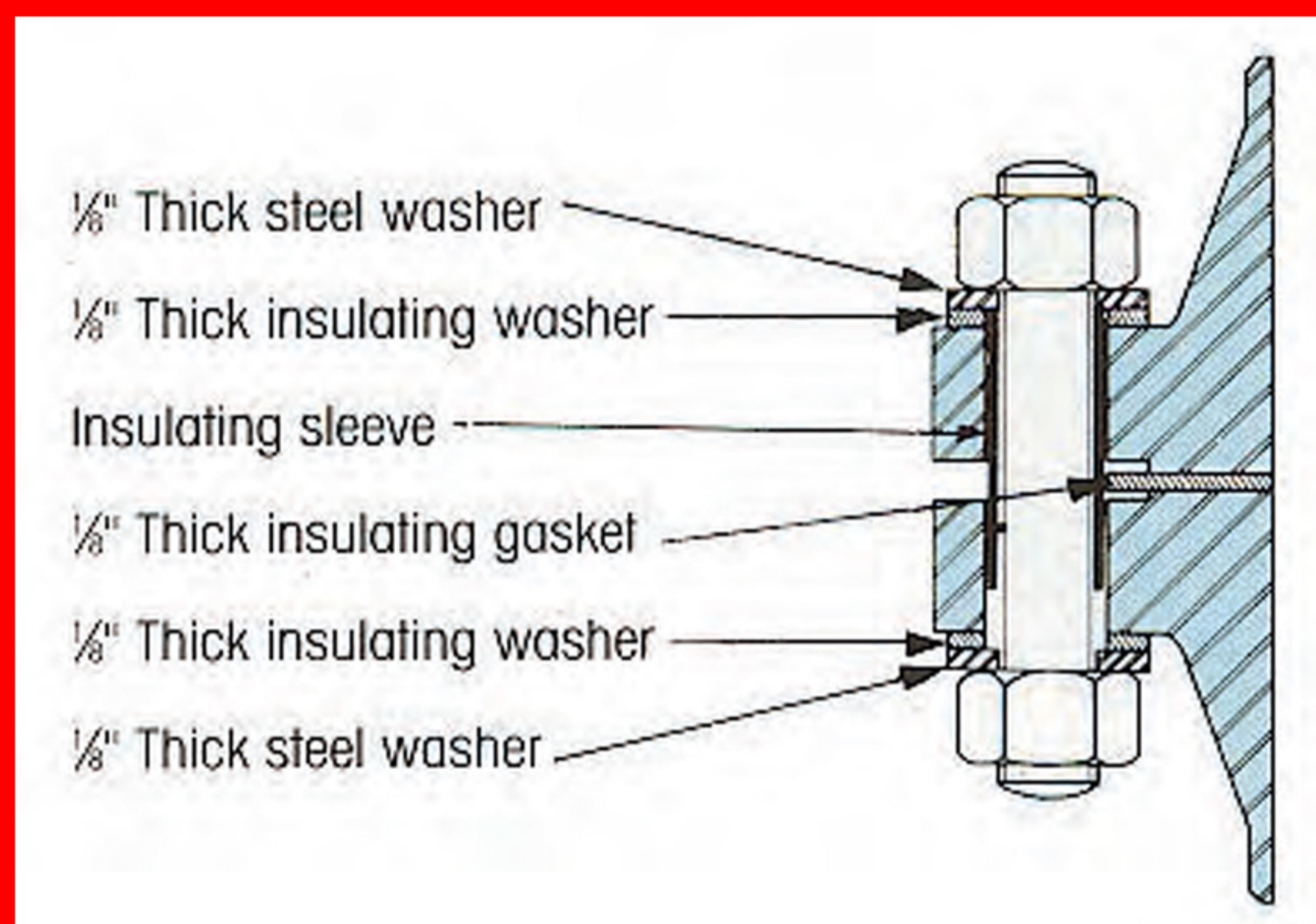
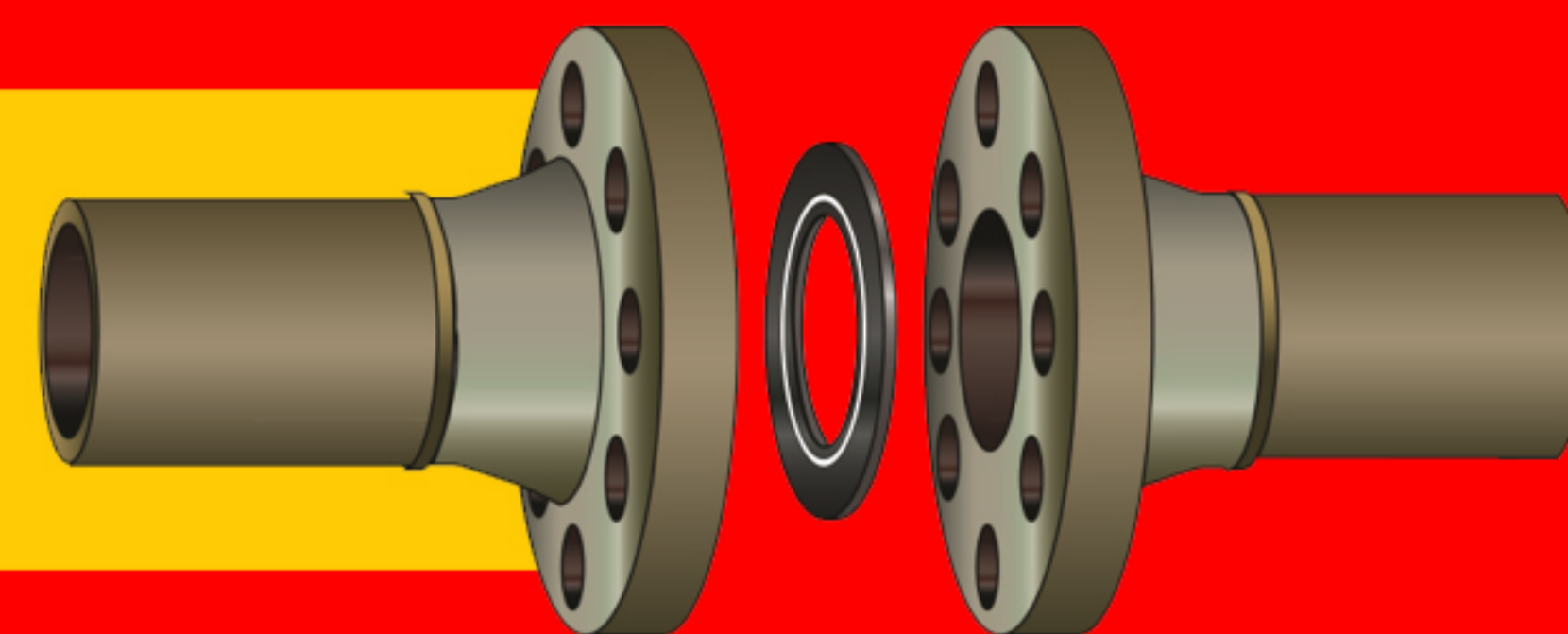
This gasket is manufactured to fit only the raised face surface of the flanges. Outside diameter of the gasket is designed to be slightly less than the inside diameter of the bolt circle. It is recommended that the flanges be wrapped to prevent foreign material from "shorting out" the flanges

TYPE D (RTJ FLANGE GASKETS)

To fit RTJ flanges, we offer CE and LE grade phenolic and glass filled Teflon.

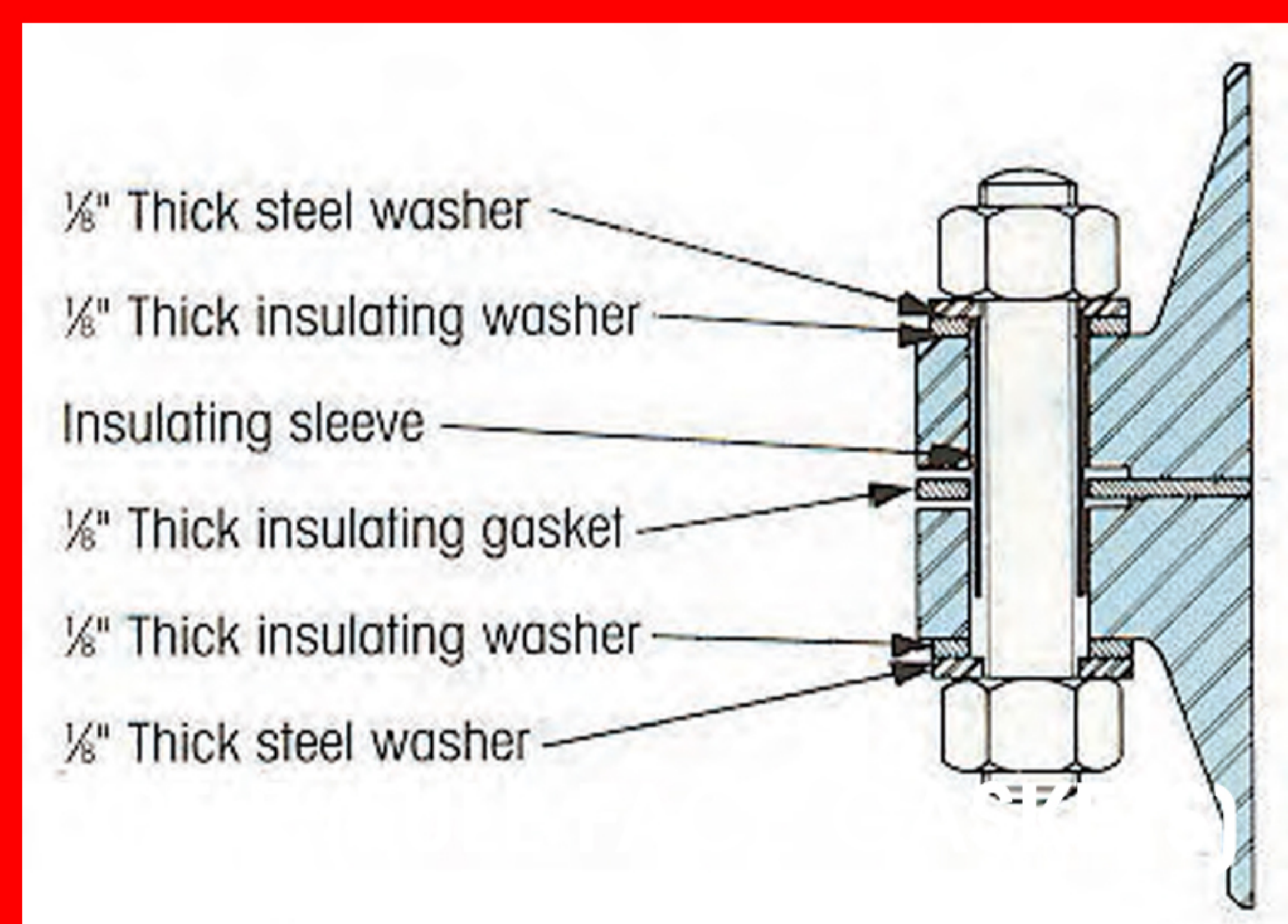


FLANGE INSULATION GASKET KITS



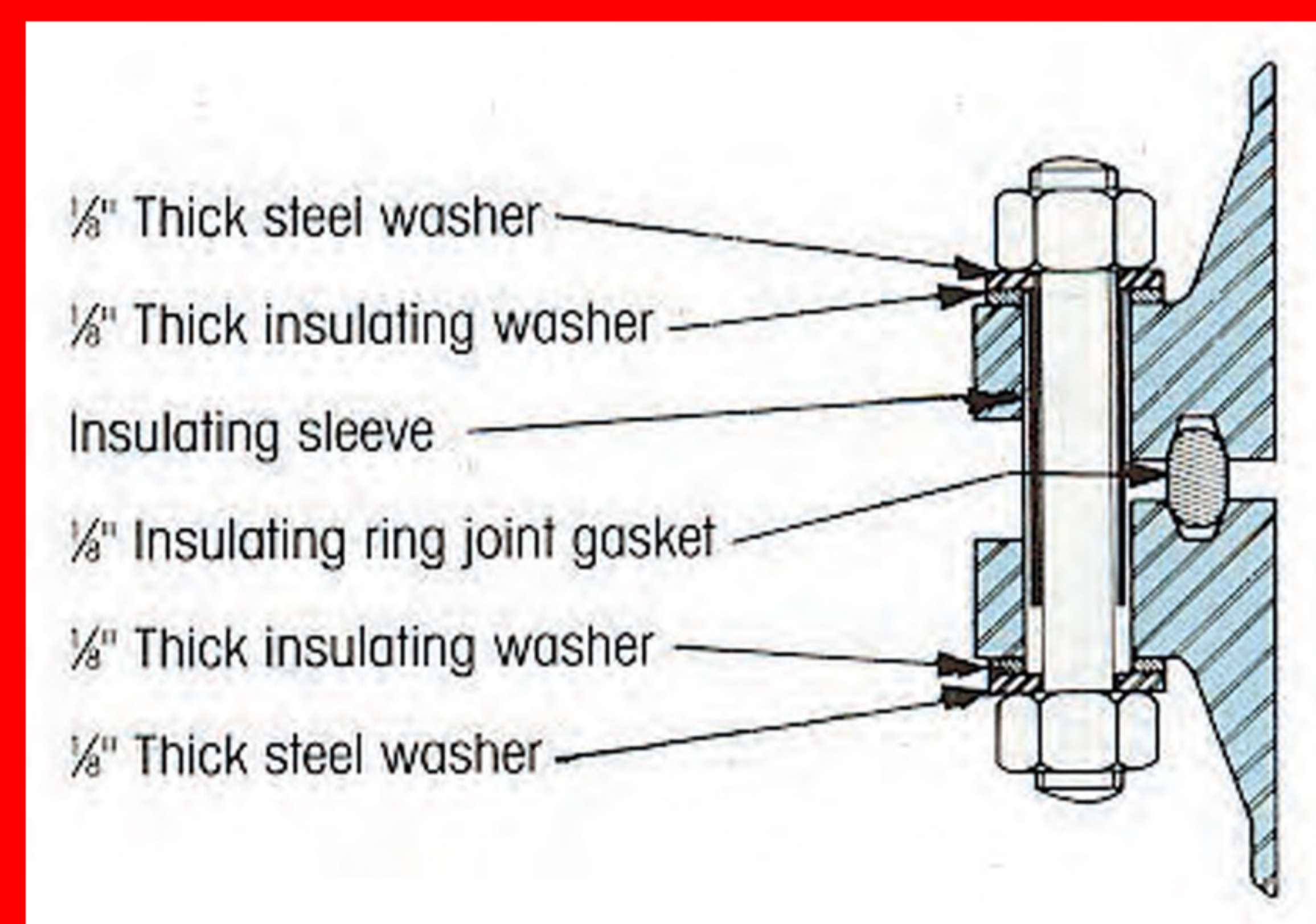
TYPE 'F'

The cross sectional diagram here shows how the insulation set is assembled when using an IBC style gasket insert. You can see very clearly how the opposite flanges are totally insulated from one another.



TYPE 'E'

The cross sectional diagram here shows how the insulation set is assembled when using a full face gasket insert. Once again it is very clear to see that the flanges are totally insulated from one another.



TYPE 'D'

The cross sectional diagram here shows how the insulation set is assembled when using a Phenolic Ring Type Joint as the gasket. The oval section ring joint will fit into a standard RTJ flange ring groove.

KIT CONTENTS

Each Flange Insulation Kit contains the following materials as one Set .

- One Insulation Gasket
- one phenolic/GRE/mylar sleeve per bolt
- two laminated phenolic/GRE/mylar washers per bolt
- two plated steel washers per bolt